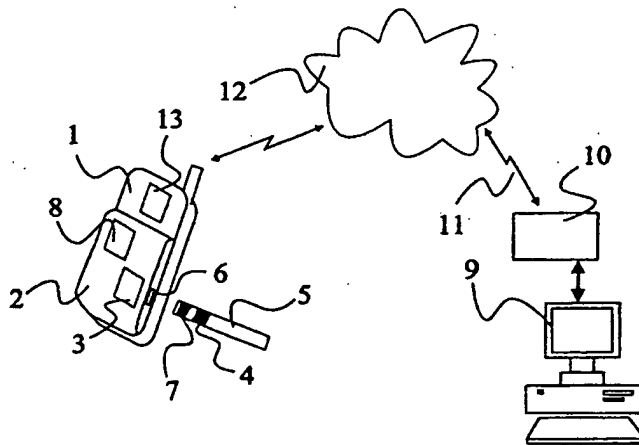




INTERNATIONAL APPLICATION PUBLISHED UNDER THE PATENT COOPERATION TREATY (PCT)

(51) International Patent Classification ⁶ : G01N 33/487, A61B 5/00	A1	(11) International Publication Number: WO 99/22236 (43) International Publication Date: 6 May 1999 (06.05.99)
<p>(21) International Application Number: PCT/FI98/00740</p> <p>(22) International Filing Date: 22 September 1998 (22.09.98)</p> <p>(30) Priority Data: 974065 27 October 1997 (27.10.97) FI</p> <p>(71) Applicant (for all designated States except US): NOKIA MOBILE PHONES LTD. [FI/FI]; Keilalahdentie 4, FIN-02150 Espoo (FI).</p> <p>(72) Inventors; and (75) Inventors/Applicants (for US only): HEINONEN, Pekka [FI/FI]; Hakakuja 2 B 28, FIN-02100 Espoo (FI). OKKONEN, Harri [FI/FI]; Salonkitie 5 as. 3, FIN-02940 Espoo (FI). BERG, Jukka [FI/FI]; Perhotie 1, FIN-90550 Oulu (FI).</p> <p>(74) Agent: JOHANSSON, Folke; Nokia Mobile Phones Ltd., P.O. Box 100, FIN-00045 Nokia Group (FI).</p>	<p>(81) Designated States: AL, AM, AT, AU, AZ, BA, BB, BG, BR, BY, CA, CH, CN, CU, CZ, DE, DK, EE, ES, FI, GB, GD, GE, GH, GM, HR, HU, ID, IL, IS, JP, KE, KG, KP, KR, KZ, LC, LK, LR, LS, LT, LU, LV, MD, MG, MK, MN, MW, MX, NO, NZ, PL, PT, RO, RU, SD, SE, SG, SI, SK, SL, TJ, TM, TR, TT, UA, UG, US, UZ, VN, YU, ZW, ARIPO patent (GH, GM, KE, LS, MW, SD, SZ, UG, ZW), Eurasian patent (AM, AZ, BY, KG, KZ, MD, RU, TJ, TM), European patent (AT, BE, CH, CY, DE, DK, ES, FI, FR, GB, GR, IE, IT, LU, MC, NL, PT, SE), OAPI patent (BF, BJ, CF, CG, CI, CM, GA, GN, GW, ML, MR, NE, SN, TD, TG).</p> <p>Published <i>With international search report.</i></p>	

(54) Title: CALIBRATION OF MEASURED PHYSICAL PARAMETERS



(57) Abstract

A system for measuring the blood glucose level in a sample of a patient's blood. Consumable test strips (5) are provided together with a code (7) which identifies the manufacturing batch of the strip (5). A measurement unit (2) is provided and is coupled to a mobile telephone (1). The measurement unit (2) is arranged to receive a test strip (5) and to determine a colour change in a reagent (4) due to reaction of the reagent (4) with a blood sample. The identification code (7) is read at the same time by the measurement unit (3) and is transmitted by the mobile telephone (1) to a central database (9) provided by the test strip manufacturer. The database (9) contains identification codes (7) together with associated calibration data. Upon receipt of an identification code (7) the remote database (9) transmits the associated calibration data to the mobile telephone (1) which uses the calibration data to calculate a test result from the measured change in colour. The result can be displayed to the patient on a display of the telephone (1).

FOR THE PURPOSES OF INFORMATION ONLY

Codes used to identify States party to the PCT on the front pages of pamphlets publishing international applications under the PCT.

AL	Albania	ES	Spain	LS	Lesotho	SI	Slovenia
AM	Armenia	FI	Finland	LT	Lithuania	SK	Slovakia
AT	Austria	FR	France	LU	Luxembourg	SN	Senegal
AU	Australia	GA	Gabon	LV	Latvia	SZ	Swaziland
AZ	Azerbaijan	GB	United Kingdom	MC	Monaco	TD	Chad
BA	Bosnia and Herzegovina	GE	Georgia	MD	Republic of Moldova	TG	Togo
BB	Barbados	GH	Ghana	MG	Madagascar	TJ	Tajikistan
BE	Belgium	GN	Guinea	MK	The former Yugoslav Republic of Macedonia	TM	Turkmenistan
BF	Burkina Faso	GR	Greece	ML	Mali	TR	Turkey
BG	Bulgaria	HU	Hungary	MN	Mongolia	TT	Trinidad and Tobago
BJ	Benin	IE	Ireland	MR	Mauritania	UA	Ukraine
BR	Brazil	IL	Israel	MW	Malawi	UG	Uganda
BY	Belarus	IS	Iceland	MX	Mexico	US	United States of America
CA	Canada	IT	Italy	NE	Niger	UZ	Uzbekistan
CF	Central African Republic	JP	Japan	NL	Netherlands	VN	Viet Nam
CG	Congo	KE	Kenya	NO	Norway	YU	Yugoslavia
CH	Switzerland	KG	Kyrgyzstan	NZ	New Zealand	ZW	Zimbabwe
CI	Côte d'Ivoire	KP	Democratic People's Republic of Korea	PL	Poland		
CM	Cameroon	KR	Republic of Korea	PT	Portugal		
CN	China	KZ	Kazakstan	RO	Romania		
CU	Cuba	LC	Saint Lucia	RU	Russian Federation		
CZ	Czech Republic	LI	Liechtenstein	SD	Sudan		
DE	Germany	LK	Sri Lanka	SE	Sweden		
DK	Denmark	LR	Liberia	SG	Singapore		
EE	Estonia						

CALIBRATION OF MEASURED PHYSICAL PARAMETERS

The present invention relates to measurement apparatus and in particular to measurement apparatus which makes use of a consumable reagent in a measuring
5 process.

There are many examples of measurement apparatus which make use of a consumable reagent as part of a measuring process. Consumable reagents are generally of a chemical, biochemical, or biological nature. One example of such an apparatus is a blood
10 glucose meter designed to measure the level of glucose in a sample of a patient's blood. A small amount of a suitable reagent is printed or otherwise deposited onto an elongate plastic strip which can be inserted into the blood glucose meter. The meter comprises a reflectometry based measuring system which detects a change in the colour of the printed reagent due to a reaction between the active reagent and glucose present in the blood
15 sample.

It will be appreciated that in the case of a blood glucose meter, where a patient determines an insulin treatment regime on the basis of blood glucose measurements, the accuracy of the meter is critical. This requires very precise calibration of the meter. Initial
20 calibration of the meter is normally carried out during and immediately following manufacturing, with certain calibration data being stored in permanent memory of the meter. However, calibration of the meter at this stage cannot easily account for changes and variations in the properties of the consumable reagents themselves, variations which might arise due to slight changes in the manufacturing process of the reagent and the
25 test strip, environmental factors such as temperature and humidity, and changes in the property of the reagent over time.

It is known to provide blood glucose test strips, or rather a pack of such test strips, with a machine readable memory in which calibration data is stored. When a new pack of test
30 strips is opened, the machine readable memory is read by the meter and calibration data downloaded into the memory of the blood glucose meter. In this way it is possible to take account of reagent manufacturing variations in the calibration of the meter. However, it will be appreciated that providing a machine readable memory with each packet of test strips is relatively expensive both in terms of the hardware required and in terms of the
35 additional time required to program the memory during the manufacturing process.

In addition, it remains difficult to account for changes in the properties of a reagent over time. At best, only a poor estimate can be made based upon some predetermined criteria and only then if the age of the reagent is known. As such, manufacturers of blood glucose test strips tend to supply test strips in very limited numbers and make tight
5 specifications for storage and lifetime to ensure that the properties of the reagents remain within desired limits. These specifications tend to work against economies of scale in the manufacturing and distribution of test strips.

10 These problems are not limited to blood glucose test strips and apply equally to other fields in which consumable reagents are used.

According to a first aspect of the present invention there is provided a measurement system comprising:

15 measurement apparatus for measuring a physical parameter using a consumable reagent, said reagent having an identification code associated therewith;
automatic telephone answering means;
a database coupled to the automatic telephone answering means and containing a set of consumable reagent identification codes and respective calibration data;
20 means for coupling the measurement apparatus to the automatic telephone answering means via a telephone link,
the automatic telephone answering means being arranged to receive an identification code transmitted from the measurement apparatus over said telephone link, to subsequently access said database to identify the calibration data associated with said transmitted identification code, and to either transmit the identified calibration data to the
25 measurement apparatus, or to calculate a test result using the identified calibration data and transmit the test result to the measurement apparatus.

By storing the calibration data for specific consumable reagents at a central database, it is possible to update the calibration data to reflect changes which may occur to the
30 consumable reagents over time. Furthermore, it is no longer necessary to supply the calibration data to the end user with the reagents. This simplifies the manufacturing process and also eliminates the need to supply complex memory means to the end user. A further advantage of the present invention is that data generated by the measurement apparatus using the consumable reagent can be transmitted to the central database
35 where information from many apparatus can be collected and analysed.

In one embodiment of the present invention, the automatic telephone answering means is arranged to transmit calibration data associated with the received identification code back to the measurement apparatus. The measurement apparatus comprises data processing means for processing said measured physical parameter, using the received calibration data, to provide a test result. Preferably, the measurement apparatus comprises a display for displaying the test result to a user.

In an alternative embodiment of the present invention, the measurement apparatus is arranged to transmit said measured physical parameter to the automatic telephone answering means together with said identification code. The system further comprises data processing means, coupled to the database and the automatic telephone answering means, for calculating a test result using the identified calibration data and the received physical parameter. The automatic telephone answering means is arranged to transmit the test result back to the measurement apparatus, e.g. for display on a display of the apparatus. An advantage of this embodiment is that it is possible to use relatively complex algorithms to compute the test result due to the relatively high processing capability which can be provided at a central facility. Furthermore, the algorithm can be easily updated or modified.

Preferably, the identification code is provided with the consumable reagent in a machine readable form. For example, the code may be contained in a bar-code or in a solid state memory. The measurement apparatus is provided with a machine reader which is capable of reading the identification code into a memory of the measurement apparatus. An identification code may be provided with each individual consumable reagent or may be provided with a batch of such units. Where the consumable reagents are provided on a test strip, the code may be provided on one such test strip or on a dummy strip.

In an alternative embodiment, the identification code is provided in a human readable form. The measurement apparatus comprises a user interface for allowing the user to enter the identification code. For example, the user interface may be a keypad.

The measurement apparatus may comprise mobile telephone apparatus which is able to connect the measurement apparatus to the database via a wireless transmission channel. A measurement unit of the apparatus may be integral with said mobile phone or may be connectable thereto. Data may be transmitted between the mobile telephone apparatus and the automatic telephone answering means via a data call. In the case that the mobile

telephone apparatus is a digital telephone apparatus according to the GSM system, the data may be transmitted using the short messaging system (SMS).

5 The present invention is applicable, for example, to a system for measuring the glucose level in a sample of a patient's blood.

According to a second aspect of the present invention there is provided a consumable reagent, or a pack of consumable reagents, in combination with an identification code, said reagent(s) being for use with the measurement system of the above first aspect of
10 the present invention, where said identification code identifies a set of calibration data stored in said database.

Preferably, the combination of the second aspect of the present invention comprises a machine readable memory by means of which said identification code is stored. The
15 memory may be a bar code, memory chip, magnetic strip, or any other suitable means.

According to a third aspect of the present invention there is provided a method of deriving a test result from a physical parameter measured using a measurement apparatus and a consumable reagent, the method comprising;

20 providing a consumable reagent together with an identification code;
providing a database containing a set of identification codes and respective calibration data;
transmitting said identification code from the measurement apparatus to the database via a telephone link; and
25 automatically responding to receipt of the transmitted identification code by identifying the corresponding calibration data in the database, and transmitting that data, or a test result determined using the data, back to the measurement apparatus.

Preferably, said telephone link comprises a mobile telephone link, wherein the
30 measurement apparatus comprises a measurement unit coupled to mobile telephone apparatus.

For a better understanding of the present invention and in order to show how the same may be carried into effect reference will now be made, by way of example, to the
35 accompanying drawings, in which:

Figure 1 shows a measurement system embodying the present invention; and

Figure 2 is a flow diagram illustrating a measurement method implemented by the system of Figure 1.

There is shown in Figure 1 a system which is capable of providing a diabetic patient with a blood glucose level test result. The system comprises a mobile telephone 1 which is shown from the rear in Figure 1 and in which the keyboard and display are not visible. The telephone comprises modified software but is otherwise conventional. However, in place of the conventional battery, a measurement unit 2 is provided which can be inserted into the slot on the rear of the mobile phone 1 normally occupied by the battery. The measurement unit 2 contains a reduced size battery unit (not shown) for powering the measurement unit 2 and the phone 1.

The measurement unit 2 contains an internally arranged reflectometry system 3 which is operable to measure the colour change in a consumable reagent 4 relative to some predetermined base level. The consumable reagent 4 is printed, or otherwise deposited, on a surface region of an elongate test strip 5. The test strip 5 is insertable into a slot 6 provided in the side of the measurement unit 2 and which provides access to the reflectometry system 3.

In addition to the consumable reagent 4, the test strip 5 is provided with a barcode 7 printed on its upper surface. The barcode 7 represents an identification code which identifies the manufacturing batch number of the test strip 5. The measurement unit 2 contains an optical reader, aligned with the slot 6, which reads the barcode 7 when the test strip 5 is inserted into the slot 6. The optical reader may be an independent internal component of the measurement unit 2, but is preferably provided, at least in part, by the reflectometry system 3. In either case, the read identification code is stored in a memory 8 of the measurement unit 2 or of the telephone 1.

The manufacturer or distributor of the test strips 5 maintains a central database 9 containing a set of identification codes, each of which uniquely identifies an individual manufacturing batch of test strips 5. Associated with each identification code is a set of calibration data. This calibration data typically includes an offset value and a scaling factor which can be used to relate a measured colour change to a blood glucose level (non-linear calibration data may also be provided). Calibration data for a batch of test strips is initially determined following manufacture of a batch, for example by comparing the results of a test carried out using a typical measurement unit and by laboratory

analysis. The calibration data however is updated at regular time intervals by re-testing samples taken from a retained test strip stock.

5 An automatic telephone answering device 10 is located at the manufacturer's (or distributor's) premises and is coupled to both a telephone line 11 and to the database 9. The operation of this device 10 is described below.

10 To initiate a blood glucose test, the patient activates a measurement sequence using a menu displayed on the phone's display. The patient then deposits a small amount of blood on top of the reagent 4. After a short time, the test strip 5 is fully inserted into the slot 6. Upon insertion, the identification code conveyed by the barcode 7 is read into the unit's memory 8. The colour change in the reagent 4 is then determined by the reflectometry system 3 and the result also read into the unit's memory 8.

15 The patient is then prompted, by a message displayed on the telephone's display, to initiate a data call to the remote automatic telephone answering device 10. Following acceptance of the prompt by the user, the telephone 1 opens a data channel with a cellular telephone 12 network and transmits the read identification code to the automatic telephone answering device 10 via the telephone line 11. The answering device 10
20 responds by accessing the database 9 and downloading therefrom the calibration data corresponding to the received identification code. The answering device 10 then formats the calibration data and transmits it back to the mobile telephone 1 via the cellular network 12.

25 The calibration data received by the telephone 1 is stored in the memory 8. The telephone then proceeds to calculate a blood glucose test result using the measured colour change, the received calibration data, and a calculation algorithm which is pre-stored in the measurement unit's memory 8. This calculation is carried out by a central processing unit 13 of the phone 1.

30

The main steps associated with the measurement process at the measurement apparatus are shown in the flow diagram of Figure 2.

35 It will be appreciated that the same result can be obtained by transmitting the measured colour change from the measurement unit 2 and the mobile telephone 1, to the remote database 9, together with the identification code. The database 9 can then process the

measured value using the calibration data to generate a test result. It is then not necessary to transmit the calibration data to the measurement unit 2 and only the test result needs to be transmitted. The result received by the mobile telephone 1 can then be displayed directly on the telephone's display.

5

In addition to providing the measurement unit with the most up to date calibration data, the system described above provides a number of other significant advantages. For example, if a user mistakenly tries to use a test strip which has passed its 'use by' date, the user can be notified of this, and the measurement blocked, by the database and the automatic answering device. Accurate records can also be kept, by the database, of the usage pattern of test strips.

10

It will be appreciated that modifications may be made to the above described embodiment without departing from the scope of the present invention. For example, whilst the embodiment described above makes use of a mobile telephone, alternative embodiments may use land line telephones or two-way pagers.

15

Claims

1. A measurement system comprising:
measurement apparatus (1,2) for measuring a physical parameter using a
5 consumable reagent (4), said reagent having an identification code (7) associated
therewith;
automatic telephone answering means (10);
a database (9) coupled to the automatic telephone answering means (10) and
containing a set of consumable reagent identification codes and respective calibration
10 data;
means (1) for coupling the measurement apparatus to the automatic telephone
answering means (1) via a telephone link (11,12),
the automatic telephone answering means (10) being arranged to receive an
identification code transmitted from the measurement apparatus (1,2) over said telephone
15 link (11,12), to subsequently access said database (9) to identify the calibration data
associated with said transmitted identification code, and to either transmit the identified
calibration data to the measurement apparatus (1,2), or to calculate a test result using the
identified calibration data and transmit the test result to the measurement apparatus (1,2).
- 20 2. A system according to claim 1, wherein the automatic telephone answering means
(10) is arranged to transmit calibration data associated with the received identification
code back to the measurement apparatus (1,2) and the measurement apparatus (1,2)
comprises data processing means (13) for processing said measured physical parameter,
using the received calibration data, to provide a test result.
- 25 3. A system according to claim 1, wherein the measurement apparatus (1,2) is
arranged to transmit said measured physical parameter to the automatic telephone
answering means (10) together with said identification code, the system further
comprising data processing means (9), coupled to the database (9) and the automatic
30 telephone answering means (10), for calculating a test result using the identified
calibration data and the received physical parameter, the automatic telephone answering
means (10) being arranged to transmit the test result back to the measurement apparatus
(1,2).
- 35 4. A system according to any one of the preceding claims, wherein the identification
code is provided with the consumable reagent (4) in a machine readable form (7).

5. A system according to claim 4, wherein the identification code (7) is contained in a bar-code or in a solid state memory and the measurement apparatus (1,2) is provided with a machine reader (3) which is capable of reading the identification code into a
5 memory (8) of the measurement apparatus (1,2).
6. A system according to any one of the preceding claims, wherein the measurement apparatus (1,2) comprises mobile telephone apparatus (1) which is able to connect the measurement apparatus (1,2) to the database (9) via a wireless transmission channel
10 (12).
7. A system according to any one of the preceding claims, wherein the measurement apparatus (1,2) is arranged to provide a measure of the glucose level in a sample of a patient's blood.
15
8. A consumable reagent (4), or a pack of consumable reagents, in combination with an identification code (7), said reagent(s) (4) being for use with the measurement system of any one of the preceding claims, where said identification code (7) identifies a set of calibration data stored in said database (9).
20
9. The combination of claim 8, comprising a machine readable memory by means of which said identification code (7) is stored.
10. A method of deriving a test result from a physical parameter measured using a measurement apparatus and a consumable reagent, the method comprising;
25 providing a consumable reagent together with an identification code;
providing a database containing a set of identification codes and respective calibration data;
transmitting said identification code from the measurement apparatus to the
30 database via a telephone link; and
automatically responding to receipt of the transmitted identification code by identifying the corresponding calibration data in the database, and transmitting that data, or a test result determined using the data, back to the measurement apparatus.

11. A method according to claim 10, said telephone link comprising a mobile telephone link, wherein the measurement apparatus comprises a measurement unit coupled to mobile telephone apparatus.

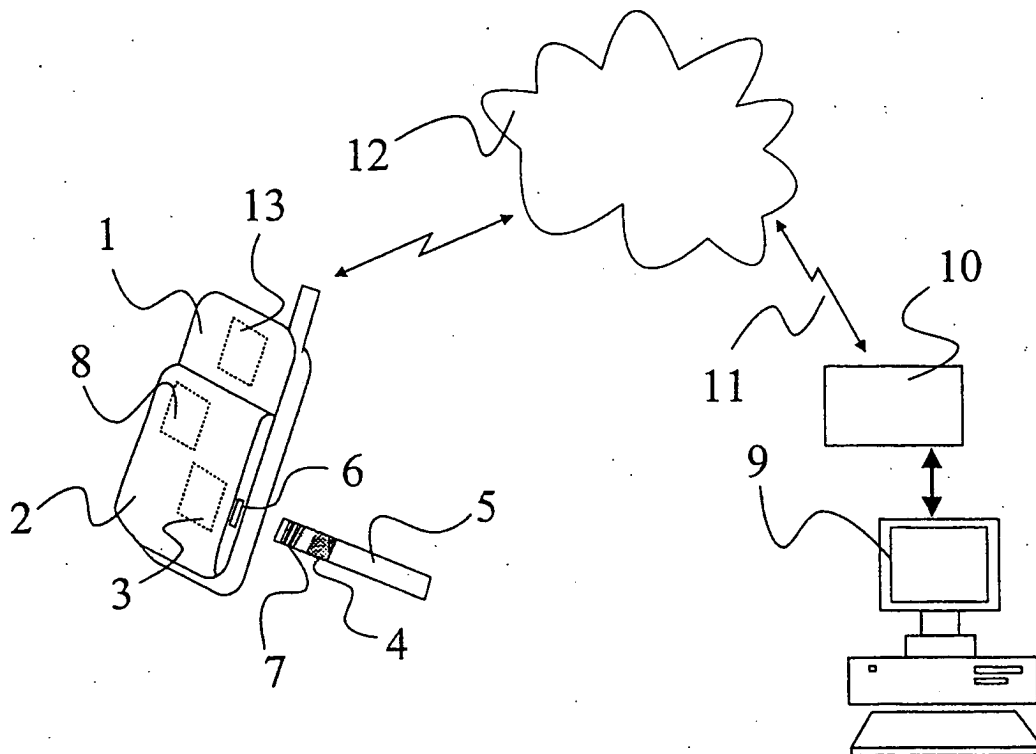
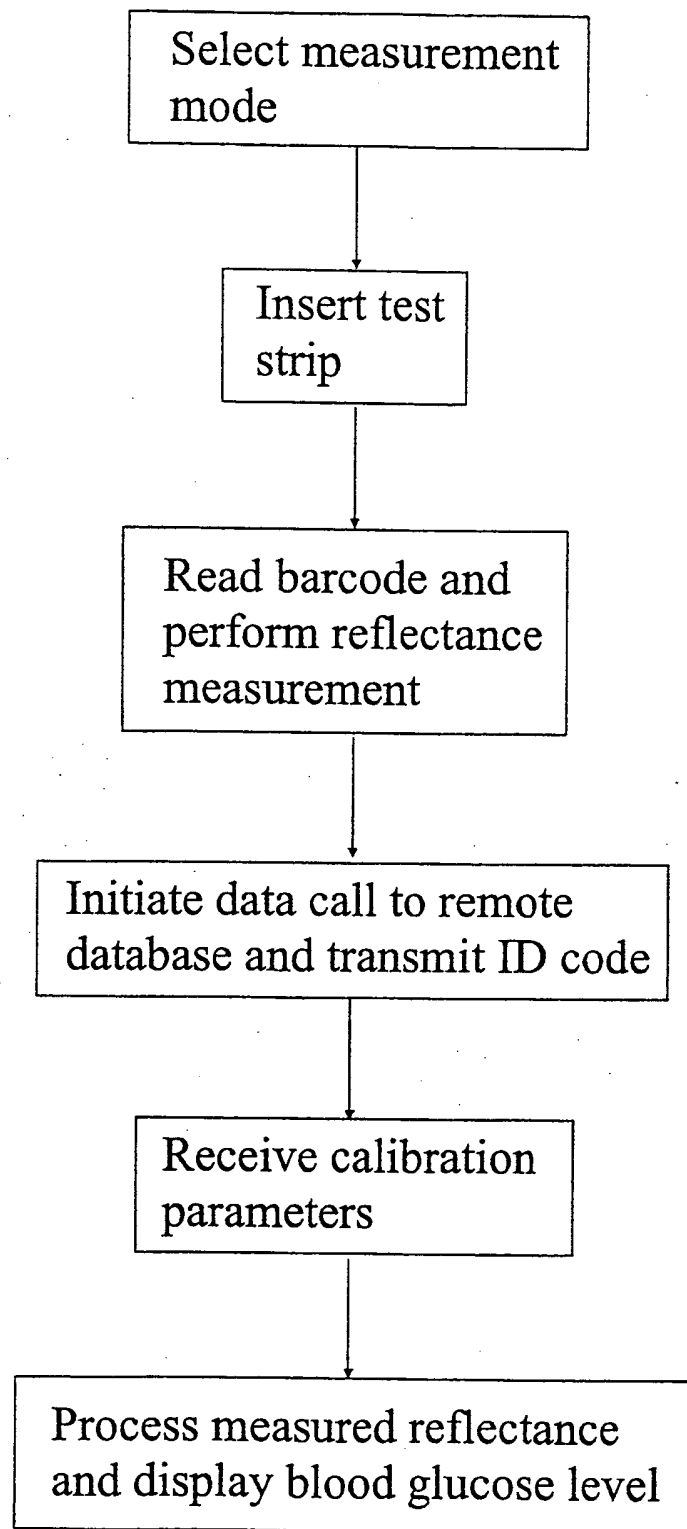


Figure 1

2/2

Figure 2

INTERNATIONAL SEARCH REPORT

International application No.

PCT/FI 98/00740

A. CLASSIFICATION OF SUBJECT MATTER		
IPC6: G01N 33/487, A61B 5/00 According to International Patent Classification (IPC) or to both national classification and IPC		
B. FIELDS SEARCHED		
Minimum documentation searched (classification system followed by classification symbols)		
IPC6: A61B, G01N		
Documentation searched other than minimum documentation to the extent that such documents are included in the fields searched		
SE,DK,FI,NO classes as above		
Electronic data base consulted during the international search (name of data base and, where practicable, search terms used)		
WPI		
C. DOCUMENTS CONSIDERED TO BE RELEVANT		
Category*	Citation of document, with indication, where appropriate, of the relevant passages	Relevant to claim No.
A	Patent Abstracts of Japan, abstract of JP 6-350726 A (NISHITOMO: KK), 22 December 1994 (22.12.94)	1-11
	--	
A	EP 0807805 A2 (SOEHNLE-WAAGEN GMBH + CO), 9 May 1997 (09.05.97), abstract	1-11
	--	
A	US 5507288 A (DIRK BÖCKER ET AL), 16 April 1996 (16.04.96), column 4, line 36 - line 43	1-11
	--	
A	US 4706207 A (JAMES W. HENNESSY ET AL), 10 November 1987 (10.11.87), column 15, line 4 - line 13	1-11
	--	
<input checked="" type="checkbox"/> Further documents are listed in the continuation of Box C. <input checked="" type="checkbox"/> See patent family annex.		
* Special categories of cited documents: "A" document defining the general state of the art which is not considered to be of particular relevance "E" earlier document but published on or after the international filing date "L" document which may throw doubts on priority claim(s) or which is cited to establish the publication date of another citation or other special reason (as specified) "O" document referring to an oral disclosure, use, exhibition or other means "P" document published prior to the international filing date but later than the priority date claimed "T" later document published after the international filing date or priority date and not in conflict with the application but cited to understand the principle or theory underlying the invention "X" document of particular relevance: the claimed invention cannot be considered novel or cannot be considered to involve an inventive step when the document is taken alone "Y" document of particular relevance: the claimed invention cannot be considered to involve an inventive step when the document is combined with one or more other such documents, such combination being obvious to a person skilled in the art "&" document member of the same patent family		
Date of the actual completion of the international search		Date of mailing of the international search report
15 February 1999		17 -02- 1999
Name and mailing address of the ISA/ Swedish Patent Office Box 5055, S-102 42 STOCKHOLM Facsimile No. +46 8 666 02 86		Authorized officer Malin Keijser Telephone No. +46 8 782 25 00

INTERNATIONAL SEARCH REPORT

International application No.

PCT/FI 98/00740

C (Continuation). DOCUMENTS CONSIDERED TO BE RELEVANT		
Category*	Citation of document, with indication, where appropriate, of the relevant passages	Relevant to claim No.
A	WO 9708544 A1 (ANDCARE INC), 6 March 1997 (06.03.97), page 5, line 4 - line 29 -----	1-11

INTERNATIONAL SEARCH REPORT
Information on patent family members

02/02/99

International application No.

PCT/FI 98/00740

Patent document cited in search report	Publication date	Patent family member(s)	Publication date
EP 0807805 A2	09/05/97	DE 19619854 A	20/11/97
US 5507288 A	16/04/96	AU 674474 B	19/12/96
		AU 1763495 A	07/12/95
		CA 2148569 A	06/11/95
		CN 1128353 A	07/08/96
		DE 4415896 A	09/11/95
		EP 0680727 A	08/11/95
		FI 952131 A	06/11/95
		HU 75243 A	28/05/97
		HU 9501274 D	00/00/00
		IL 113569 A	04/01/98
		JP 7311196 A	28/11/95
		NO 951754 A	06/11/95
		NZ 272000 A	24/04/97
US 4706207 A	10/11/87	EP 0228453 A	15/07/87
		JP 63500398 T	12/02/88
		WO 8700280 A	15/01/87
WO 9708544 A1	06/03/97	AU 6904496 A	19/03/97

THIS PAGE BLANK (USPTO)